

Installation & RGB System Control Instructions

Warranty No: _____

Please Keep this for warranty

PTF90 FOUNTAIN UNDERWATER LED LIGHTS MODEL OPERATING AND SAFETY INSTRUCTIONS

Congratulations, on your purchase of one of the most advanced LED leakproof sealed ceramic technology lights, in the world today. Your Next Generation PTF90 LED fountain lights, will provide you with years of trouble free use and enjoyment. PTF90 fully sealed leak-proof technology has been proven internationally for many years.

Since your new PTF90 is consumes less power, cool running, maintenance free you need never change a globe in your fountains . Please take a few minutes to read and observe the following installation and safety information.

PTF90 is 12V DC unless specifically stated.

Please visit our AqualDEA youtube to know more Installation information.

WARNING:

1. Our PTF90 are extremely bright, please DO NOT look directly at the light as it may damage your eyes.
2. All PTF90 MUST switch on under the water .
3. Transformer requirement per each : DC 12V / 1.6A output
4. Accessories included as below:

	Heat-Shrink Tube:
	Ø 3mm x 2
Heat-Shrink Tube	Ø 9mm x 1
	Ø 15mm x 1

PTF90 Underwater LED fountain lights x 1

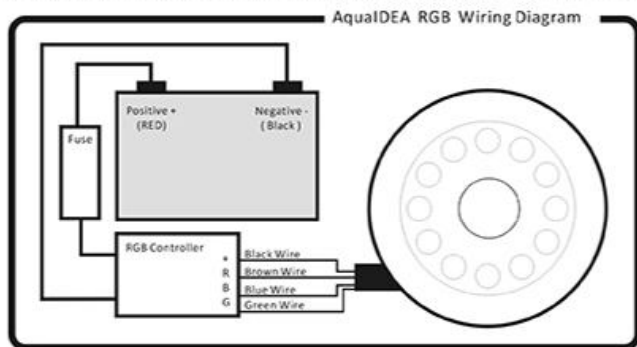


RISK OF ELECTRICAL SHOCK OR ELECTROCUTION

This underwater lights fixture must be installed by a licensed pool's technician or certified electrician or a qualified pools serviceman in accordance with all applicable local codes and ordinances. Improper installation may create an electrical hazard which could result in death or serious injury to pool's users, installers or others due to electrical shock and may also cause damage to property. Always disconnect power to the pool lights at the circuit breaker before servicing the lights. Failure to do so could result in death or serious injury to serviceman, pool's user or others due to electrical shock. Common pool lights voltages are 12V DC . DO NOT connect your new PTF90 the incorrect voltage or you may damage your lights and invalidate the warranty. All Pool lights MUST turn on under the water only.

INSTALLATION INSTRUCTIONS

A: Preparatory steps which must be completed by the electrician before lights is installed see Figure 1:



1. Ensure that the electrical system of the fountain conforms to the requirements of all the local codes and ordinances A licensed or certified electrician must install the electrical system to meet or exceed those requirements before the underwater lights is installed.

a) The junction box, or the low voltage transformer for 12 volt modes, NEVER SUBMERGE THE TRANSFORMER is located at least 120 cm from the edge of the fountain , and is IP 64 splash rated see Figure 1

2. Consult the local Government Building Department to be certain that the underwater electrical systems meet all applicable requirements.

