

Installation Instructions

Warranty No: _____
Please Keep this for warranty

M6W Marine LIGHTS MODEL OPERATING AND SAFETY INSTRUCTIONS

Congratulations, on your purchase of one of the most advanced LED leakproof sealed ceramic technology lights, in the world today. Your Next Generation M6W marine lights, will provide you with years of trouble free use and enjoyment. M6W is fully sealed leak-proof technology has been proven internationally for many years. Since your new M6W is consumes less power, maintenance free you need never change a globe in your Dock, Boat, and Jet Ski . Please take a few minutes to read and observe the following installation and safety information. M6W is 12V AC/DC volts unless specifically stated.

WARNING:

1. Our Underwater LED Lights are extremely bright, please DO NOT look directly at the light as it may damage your eyes.
2. M6W MUST switch on under the water.
3. Accessories included as below:



30mm Stainless steel
screw x 2



Underwater
connector x 1



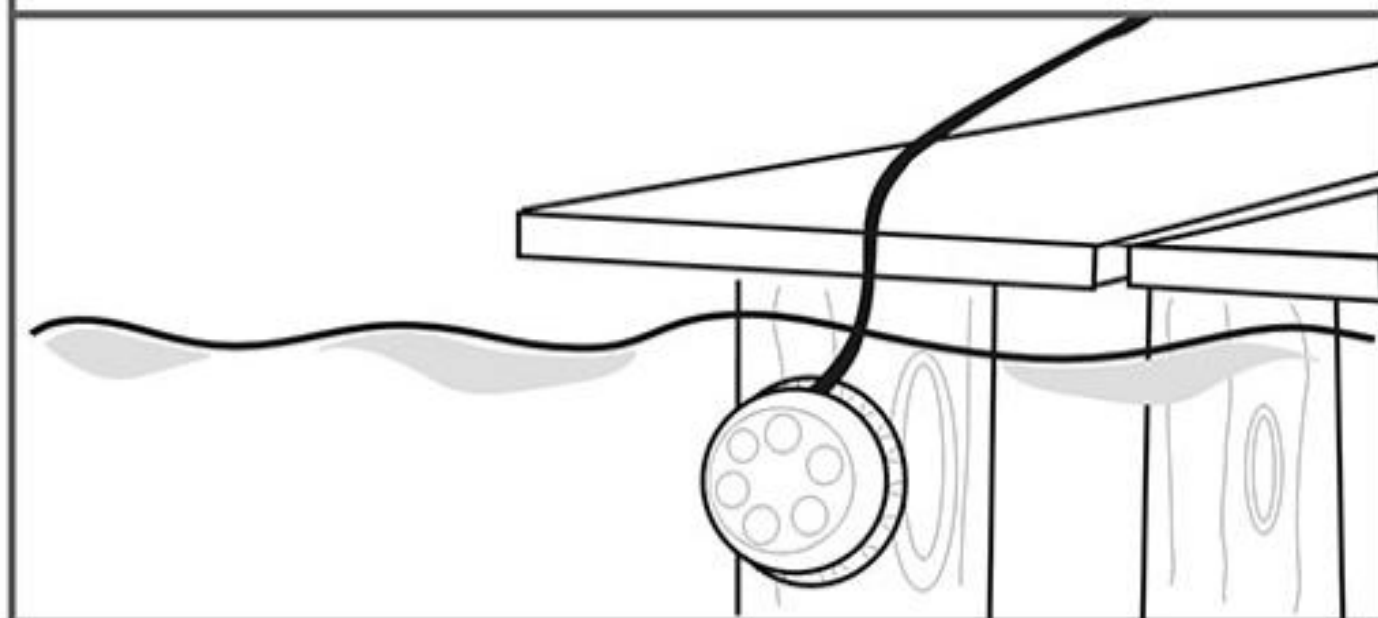
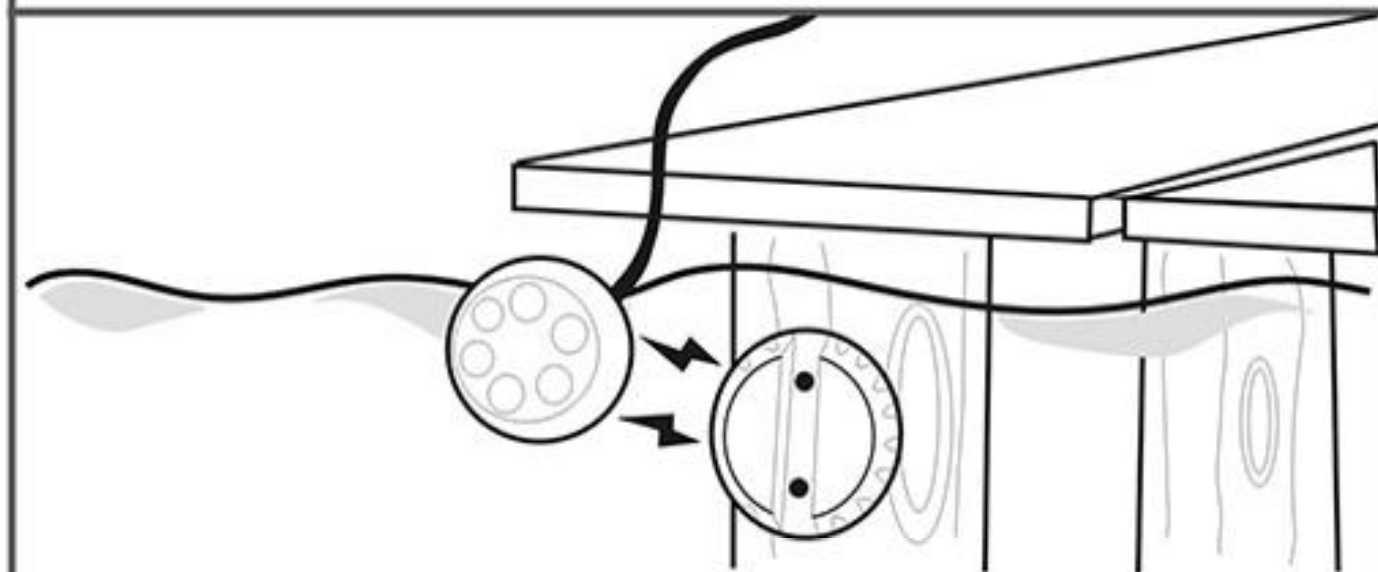
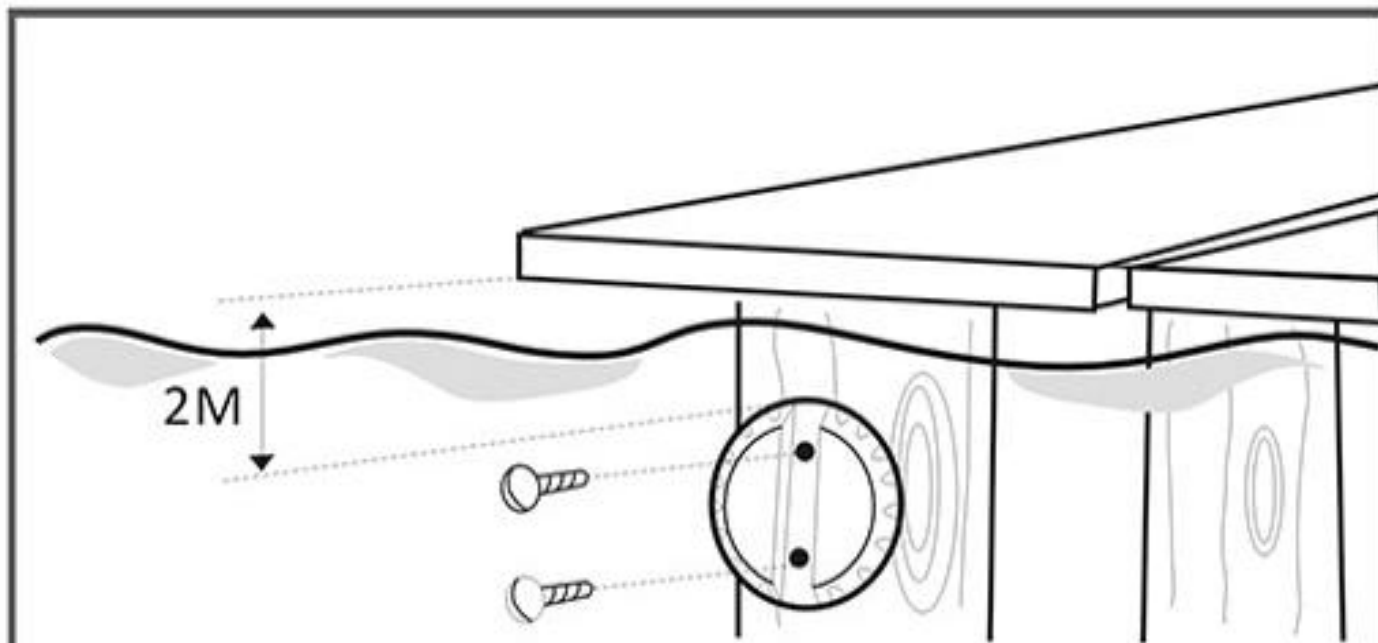
M6W marine LED lights x 1

Magnetic base x 1

RISK OF ELECTRICAL SHOCK OR ELECTROCUTION

This underwater lights fixture must be installed by a licensed technician or certified electrician serviceman in accordance with all applicable local codes and ordinances. Improper installation may create an electrical hazard which could result in death or serious injury to users, installers or others due to electrical shock and may also cause damage to property. DO NOT connect incorrect voltage or you may damage your lights and invalidate the warranty. All Marine lights **MUST** turn on under the water only.

INSTALLATION INSTRUCTIONS



1. Mount the Magnetic Base onto the dock piling , underwater surface up to 2M below the water level with the screw provided
2. Magnetically attach the LED marine light onto the Magnetic Base
3. Once the lights is attached to ths base run the cable to the 12V DC fused power source .
4. Extend the cable if required with the underwater connector provided
5. M6W draws 500mA at 12volts AC/DC power
6. Protect the cable to the power supply in conduit and leave a length of up to a maximum of 2m long
This extra cable allows you to bring the light out of the water for cleaning and servicing.
7. Never leave lights on for more than 8 hours at one day.

